

PART NAME

NEMA 4X ENCLOSURE

PART No.

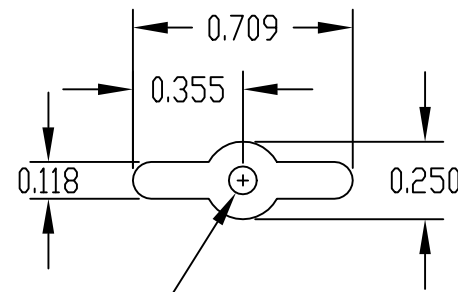
PN-1338, PN-1338-C AND PN-1338-DG

REV. DATE

11-17-08

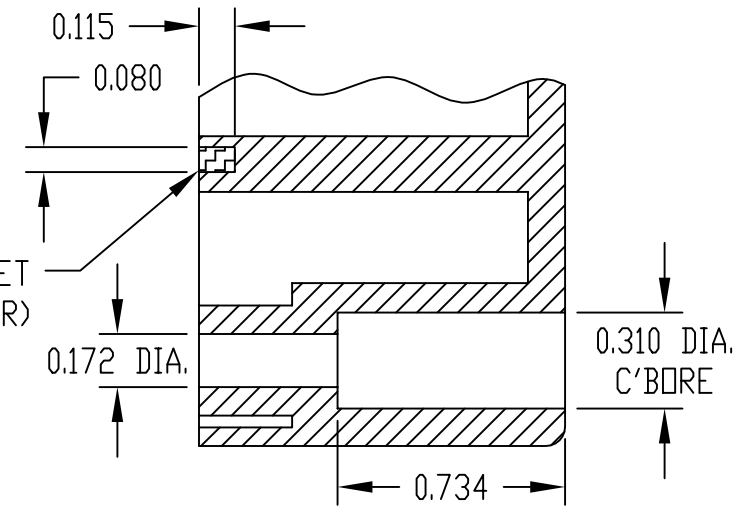
INDUSTRY STANDARDS:

- POLYCARBONATE (LIGHT GRAY AND CLEAR)
- UL94-HB FLAMMABILITY RATING (UL FILE #E41613)
- UV STABILIZED
- SERVICE TEMPERATURE RANGE: -40°C TO +120°C
- ABS (DARK GRAY)
- UL94-HB FLAMMABILITY RATING (UL FILE #E56070)
- SERVICE TEMPERATURE RANGE: -40°C TO +80°C



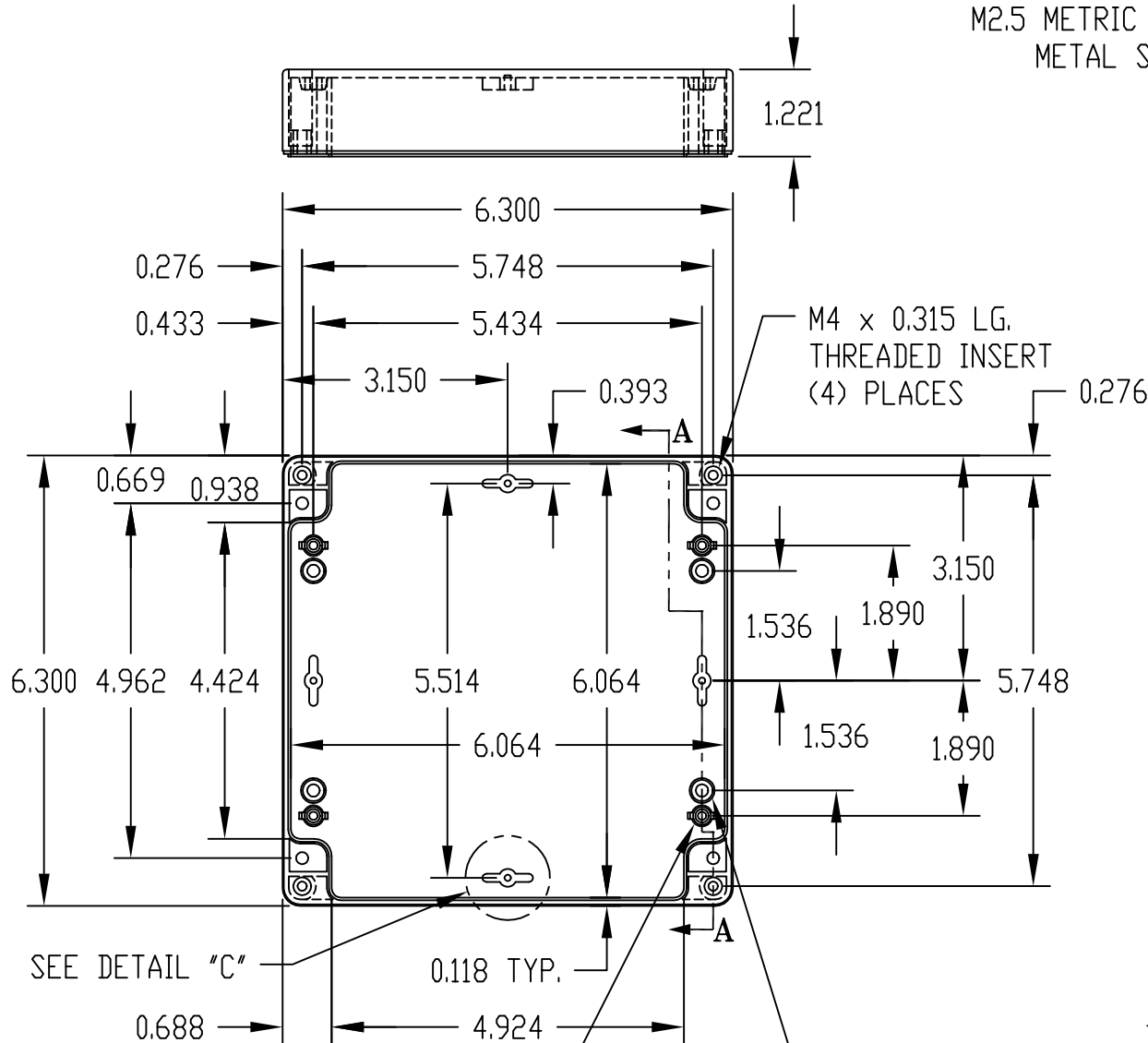
0.090 DIA. HOLE x 0.203 DEEP
MOUNTING BOSSES USE EITHER
M2.5 METRIC OR #4 STD. SHEET
METAL SCREWS x 0.188 LG.
(NOT SUPPLIED)

DETAIL "C"
(4) PLACES



SILICONE GASKET
(CLEAR)

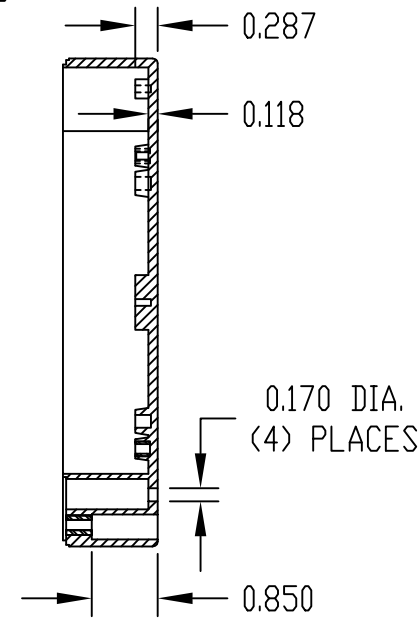
DETAIL "D"



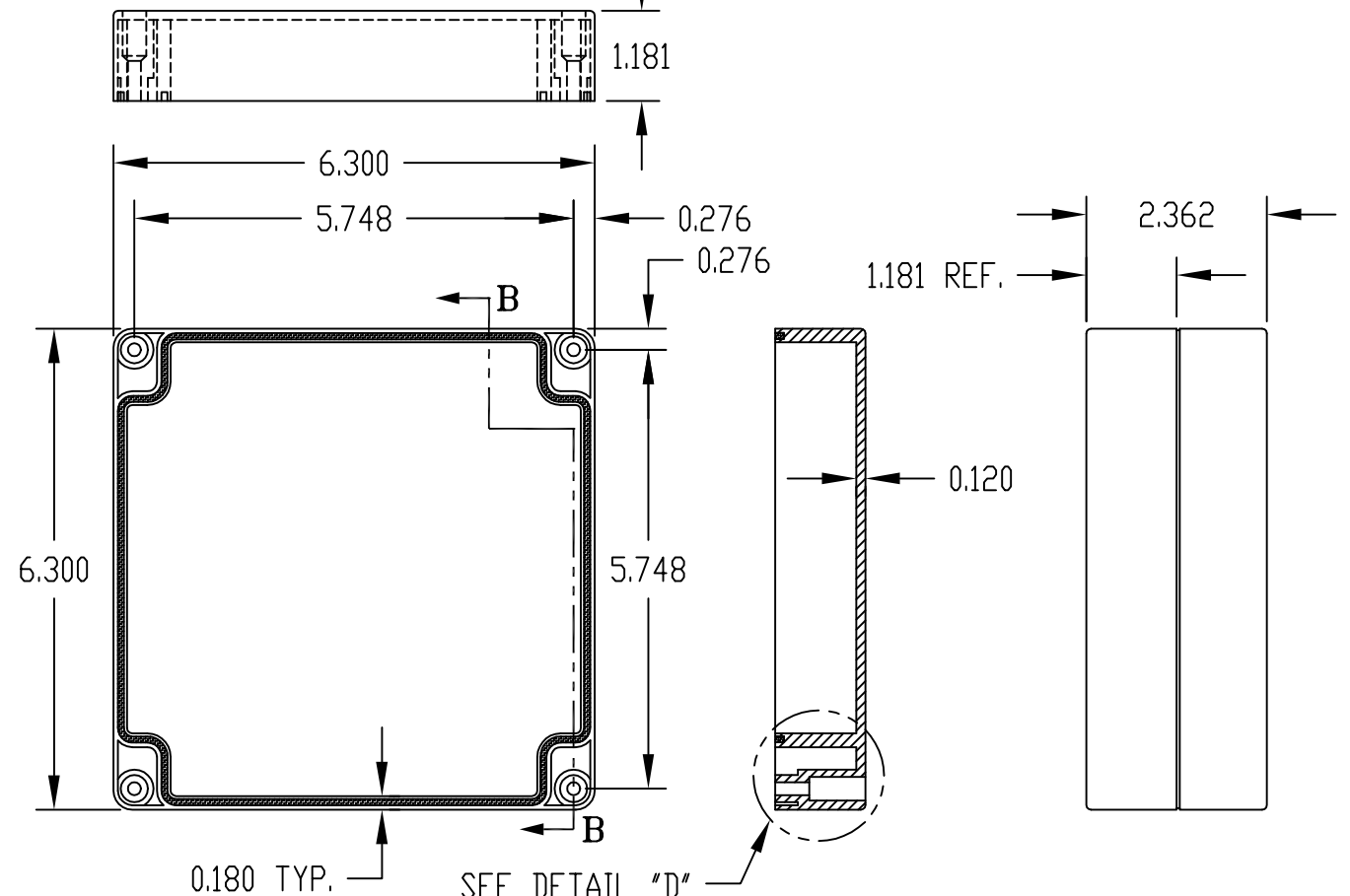
BODY

0.250 DIA. BOSS WITH
M3 x 0.188 LG.
THREADED INSERT
(4) PLACES
(SCREWS NOT SUPPLIED)

0.298 DIA. BOSS WITH
0.174 DIA. HOLE x 0.203 DEEP
(4) PLACES
MOUNTING BOSSES USE EITHER
M5 METRIC OR #10 STD. SHEET
METAL SCREWS x 0.312 LG.
(NOT SUPPLIED)



SECTION "A-A"



COVER

SECTION "B-B"

NOTE: ALL DIMENSIONS HAVE ±0.015 TOLERANCE UNLESS OTHERWISE SPECIFIED.

PART NUMBER	MATERIAL		FINISH		HARDWARE KIT
	BODY	COVER	BODY	COVER	
PN-1338	POLYCARBONATE	POLYCARBONATE	LIGHT GRAY	LIGHT GRAY	KIT CONTAINS (4) M4 x 20mm (0.787") LG. SCREWS FOR ASSEMBLY
PN-1338-C	POLYCARBONATE	POLYCARBONATE	LIGHT GRAY	CLEAR	
PN-1338-DG	HIGH-IMPACT ABS	HIGH-IMPACT ABS	DARK GRAY	DARK GRAY	